



PROFESSIONAL DIRECT DRIVE TURNTABLE

PDX-2000MkII

PDX-2000MkII Pro

OWNER'S MANUAL

VESTAX CORPORATION
1-18-16 Wakabayashi, Setagaya-ku, Tokyo 154-0023 Japan
Phone : 03-3412-7011 Fax : 03-3412-7013
E-mail : info@vestax.com
www.vestax.com

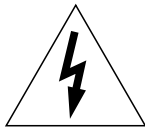
VESTAX Europe Ltd.
Unit 5, Riverwey Industrial Park
Alton, Hampshire GU 34 2QL, England.
Phone : (0)1420-83000 Fax : (0)1420-80040
www.vestax.co.uk

CONGRATULATION

Thank you for purchasing the Vestax PDX-2000MkII/MkII Pro, Professional Direct Drive Turntable. Please read this owner's manual carefully, so that you will fully understand all of the special features and enjoy the full use of this product.

CONTENTS

FEATURES	3
NOTES.....	3
A.S.T.S (Anti Skipping Tone-arm System)	4
PARTS	5
BEFORE USE	5
ASSEMBLY AND SET-UP.....	6
INSTALLATION AND CONNECTION	7
ADJUSTMENT(S)	8
OPERATION.....	10
SPECIFICATION.....	14



CAUTION

RISK OF ELECTRIC SHOCK DO NOT OPEN



**CAUTION : TO REDUCE THE RISK OF ELECTRIC SHOCK
DO NOT REMOVE COVER (OR BACK)
NO USER-SERVICEABLE PARTS INSIDE
REFER SERVICING TO QUALIFIED SERVICE PERSONNEL**

The lightning flash with arrowhead, symbol within an equilateral triangle, is intended to alert the user to the presence of uninsulated "dangerous voltage" within the product's enclosure that may be of sufficient magnitude to constitute a risk of electric shock to persons.

The exclamation point within an equilateral triangle is intended to alert the user to the presence of important operating and maintenance (servicing) instructions in the literature accompanying the appliance.

TO REDUCE THE RISK OF FIRE OR ELECTRIC SHOCK, DO NOT EXPOSE THIS APPLIANCE TO RAIN OR MOISTURE.

CAUTION : TO PREVENT ELECTRIC SHOCK, MATCH BLADE OF PLUG TO WIDE SLOT, FULLY INSERT

ATTENTION : POUR EVITER LES CHOCES ELECTRIQUES, INTRODUIRE LA LAME LA PLUS LARGE DE LA FICHE DANS LA BORNE CORRESPONDANTE DE LA PRISE ET POUSSER JUSQU' AU FOND

IMPORTANT SAFEGURDS

READ BEFORE OPERATING EQUIPMENT

This product was designed and manufactured to meet strict quality and safety standards. There are, however, some installation and operation precautions which you should be particularly aware of.

1. Read instructions-All the safety and operating instructions should be read before the appliance is operated.
2. Retain instructions-The safety and operating instructions should be retained for future reference.
3. Heed Warnings-All warnings on the appliance and in the operating instructions should be adhered to.
4. Follow Instructions-All operating and use instructions should be followed.
5. Cleaning-Unplug this product from the wall outlet before cleaning. Do not use liquid cleaners or aerosol cleaners. Use a damp cloth for cleaning.
6. Attachments-Do not use attachments not recommended by the product manufacturer as they may cause hazards.
7. Water and Moisture-Do not use this product near water-for example, near a bath tub, wash bowl, kitchen sink, or laundry tub, in a wet basement, or near a swimming pool, and the like.
8. Accessories-Do not place this product on an unstable cart, stand, tripod, or table. The product may fall, causing serious injury to a child or adult, and serious damage to the appliance. Use only with a cart, stand, tripod, bracket, or table recommended by the manufacturer, or sold with product. Any mounting of the appliance should follow the manufacturer's instructions, and should use a mounting accessory recommended by the manufacturer.
9. Ventilation-Slots and openings in the cabinet are provided for ventilation and to ensure reliable operation of the product and to protect it from overheating, and these openings must not be blocked or covered. The openings should never be blocked by placing the product on a bed, sofa, rug, or other similar surface. This product should never be placed near or over a radiator or heat register. This product should not be placed in a built-in installation such as a bookcase or rack unless proper ventilation is provided or the manufacturer's instructions have been adhered to.
10. Power sources-This product should be operated only from the type of power source indicated on the marking label. If you are not sure of the type of power supply to your home, consult your appliance dealer or local power company.
11. Grounding or Polarization-This product is equipped with a polarized alternating-current line plug (a plug having one blade wider than the other). This plug will fit into the power outlet only one way. This is safety feature. If you are unable to insert the plug fully into the outlet, try reversing the plug. If this should still fail to fit, contact your electrician to replace your obsolete outlet. Do not defeat the safety purpose of the polarized plug.
12. Power-Cord Protection-Power supply cords should be routed so that they are not likely to be walked on or pinched by items placed upon or against them, paying particular attention to cords at plugs, convenience receptacles, and the point where they exit from the appliance.
13. Protective Attachment Plug-The appliance is equipped with an attachment plug having overload protection. This is a safety feature. See Instruction Manual for replacement or resetting of protective device. If replacement of the plug is required, be sure the service technician has used a replacement plug specified by the manufacturer that has the same overload protection as the original plug.
14. Lightning-For added protection for this product during lightning storm, or when it is left unattended and unused for long periods of time, unplug it from the wall outlet. This will prevent damage to the product due to lightning and power-line surges.
15. Overloading-Do not overload wall outlets and extension cords as this can result in a risk of fire or electric shock.
16. Object and Liquid Entry-Never push objects of any kind into this product through openings as they may touch dangerous voltage points or short-out parts that could result in a fire or electric shock. Never spill liquid of any kind on the product.
17. Servicing-Do not attempt to service product yourself as opening or removing covers may expose you to dangerous voltage or other hazards. Refer all servicing to qualified personnel.
18. Damage Requiring Service-Unplug this product from the wall outlet and refer servicing to qualified service personnel under the following conditions:
 - a. When the power-supply cord or plug is damage.
 - b. If liquid has been spilled or objects have fallen into the product.
 - c. If the product has been exposed to rain or water.
 - d. If the product dose not operate normally by following the operating instructions. Adjust only those controls that are covered by the operating instructions as an improper adjustment of other, controls may result in damage and will often require extensive work by a qualified technician to restore the product to its normal operation.
 - e. If the product has been dropped or cabinet has been damaged.
 - f. When the product exhibits a distinct change in performance-this indicates need for service.
19. Replacement Parts-When replacement parts are required, be sure the service technician has used replacement parts specified by the manufacturer or have the same characteristics as the original parts. Unauthorized substitutions may result in fire, electric shock or other hazards.
20. Safety Check-Upon completion of any service or repairs to product, ask the service technician to perform safety checks to determine that the product is in proper operating condition.
21. Carts and Stands-The appliance should be used only with a cart stand that is recommended by manufacturer.
22. An appliance and cart combination should be moved with care. Quick stops, excessive force, and uneven surfaces may cause the appliance and cart combination to overturn.



FEATURES

- **NEW DESIGNED DC MOTOR**
Newly designed DC motor creates. 1.7kg torque and super fast start and brake within 1/4 rpm.
- **ANTI SKIPPING TONE-ARM SYSTEM, TRACING HOLD BALANCE SYSTEM**
The heavy-duty A. S. T. Stone arm is also newly designed for this model. Its stability and elaborateness enables non-skipping performance in any occasion.
New designed A. S. T. S (Anti Skipping Tone Arm System) and TH (tracing hold) balance TONE-ARM system protect skipping performance in hard scratching. And this TONE-ARM provide adjustment mechanism of tone arm height which Vestax Turn table series have generally.
- **ULTRA PITCH CONTROLLER**
±50% Ultra Pitch Control Fader allows DJs to be more creative.
- **START & BRAKE CONTROL**
Start & brake speed control volumes are provided for new mixing technique.
- **REVERSE PLAY**
Reverse button makes platter spin backwards in one quick action.
- **PROTECTION FOR FEEDBACK**
The combination of the new A. S. T. S. tone arm and high-condensed ABS cabinet enables the highest resistance to the feedback.
- **PDX-2000MkII Pro**
In addition to the above-mentioned feature, the dynamic balance tone arm system is adopted.
By improving the trace performance of tone arm, playback sound quality becomes better and it makes playback possible even if the disk have some curvature.

NOTES

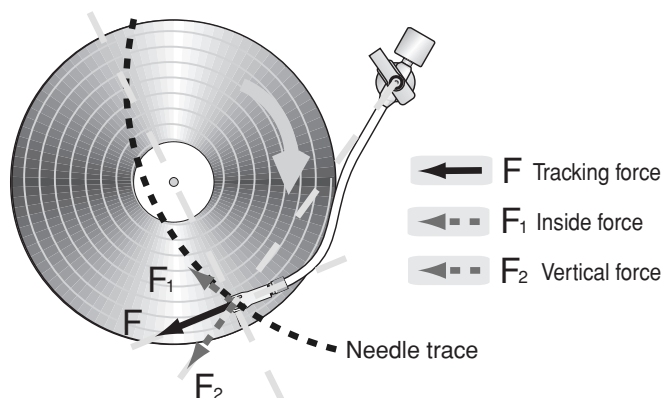
- Before detaching or attaching the headshell, be sure to turn the power of the amplifier or mixer off.
- Detaching or attaching of the headshell with the volume control turned up may cause damage to the speakers.
- Do not turn "ON" the power supply, with the turn table platter detached.
- When play is finished, be sure to secure the tone-arm with the arm clamp. After play is finished, if the unit is not to be used for some time, care should be taken to secure the tone-arm to protect the stylus tip. For the same reason, the stylus protector should also be attached.
- Wipe the headshell terminals from time to time. Dust and dirt at the headshell terminals may result in increased "HUM" noise or intermittent sound. Use a soft dry cloth to clean the headshell terminals.
- Dust and dirt should be carefully removed from stylus tip or records. Dust and dirt on the stylus tip or record may not only result in deterioration of tone quality, but also cause under wear of the record and the stylus tip itself.
- Transportation of the unit to distant places for removal and the like. Pack up the unit in reverse order to that for unpacking, using the packing materials furnished when the unit was purchased. Should there be no such packing materials, be sure to take the following steps. Remove the turntable platter together with the turntable mat, and wrap it up to prevent any damage to them. Return the tone-arm to the armrest, and affix it with tape or the like. Remove the balance weight and the headshell/cartridge from the tone-arm and then wrap them up to avoid any damage to them. Wrap up the turn table base with a blanket or soft paper also to prevent any possible damage to it.
- **ACOUSTIC FEEDBACK AND HUM**
Acoustic Feedback is usually caused by vibration of speaker, which affects the sensitive cartridge.
If such a phenomenon occurs, relocate the turn table or speakers as far apart from each other as possible.
Hum is usually caused by nearby appliances that use transformer or thermostat. Relocating the unit further away from the noise sources will readily solve the problem. Hum may also be produced if the grounding wire extending from the unit is securely connected to the GND terminal on the amplifier or mixer.

A.S.T.S (Anti Skipping Tone-arm System)

The A.S.T.S (Anti Skipping Tone-arm System) was years in trial and development. Initially the quest was to improve on the tracing of tone arms available at the time, but soon the quest mutated into designing a completely new tone arm and hold system. The result of this laborious task has enhanced the turntables potential immensely and is now incorporated into all Vestax professional level turntables. The system breaks with ill founded traditional tone arm logic in order to achieve a high level of non skipping performance, especially during hard play (scratch). Essentially this system focuses on two very separate, yet very important inventions. One is a short straight arm and the other is the way in which the arm is balanced, both vertically and horizontally.

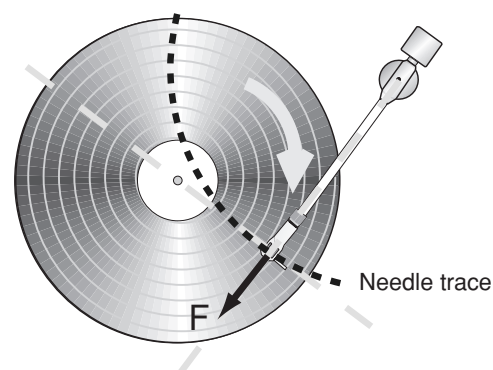
- TH (Tracing hold) Balance System. This system allows for both vertical and horizontal movement, which helps the balance of the tone arm. When combined with a short straight tone arm the best stability ever is provided for the needle, which in turn allows for hard play.
- The tone arm, both straight and short, is made up of two parts - an inner and an outer tube. The inner tube, brass, is housed within an outer tube of aluminum, which reduces the effects of howling and also provides a more sensitive pick up. Compared with other tone arms on the market, the A.S.T.S tone arm reduces howling by approximately 50% more.

NORMAL TYPE TONE-ARM



The tracking force (frictional force) generated between the stylus and the record disc makes the inside force.

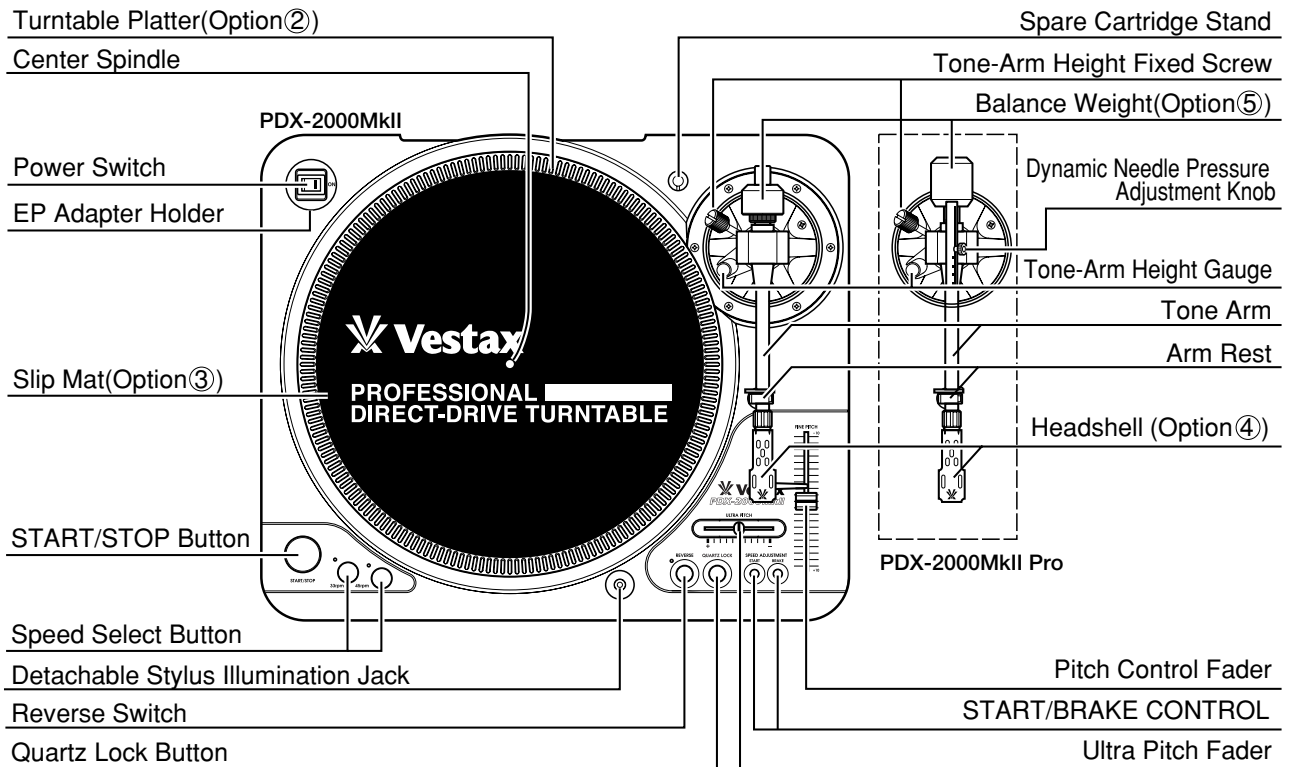
A. S. T. S



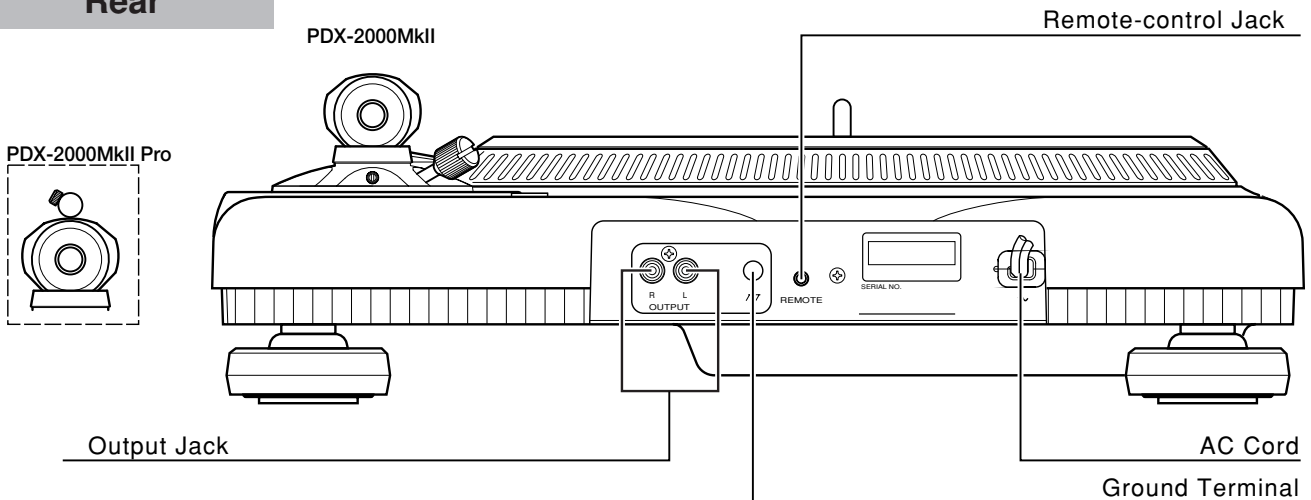
The inside force is minimized.

PARTS

Front



Rear



BEFORE USE

Parts and accessories

Before use, please check that you have all parts.

- ① Main unit
- ② Platter
- ③ Split mat
- ④ Head shell
- ⑤ Balance weight

• Accessories accompanying this booklet.

- ⑥ Shell weight
- ⑦ RCA cable
- ⑧ GND cable
- ⑨ EP adopter
- ⑩ Platter screws
- ⑪ Screw driver for platter screws
- ⑫ Owner's manual

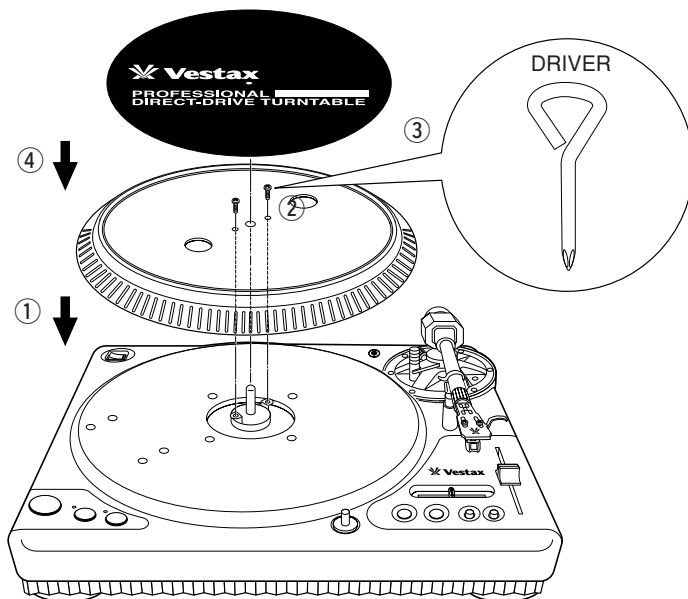
ASSEMBLY AND SET-UP

Turntable Assembly

- ① Place the platter on the center spindle. The platter will adjust itself to best fit over the spindle.
 - ② Adjust the positioning of the platter so that the screw holes line up perfectly.
 - ③ Screw and tighten accordingly.
 - ④ Place the slip mat on the platter.
- *** Care should be taken to avoid dropping either/both, the platter or the cabinet.

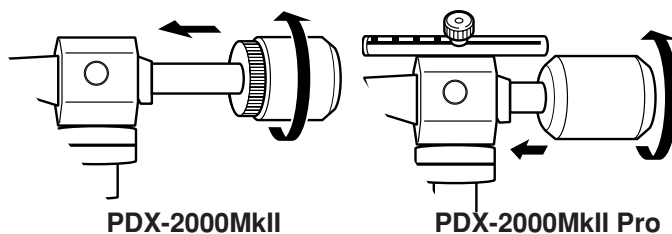
NOTE

- If the player is operated without fixing the screws, the platter may not rotate properly.
- Do not plug in to a power outlet until this unit is fully assembled and adjusted.



Installing the balance Weight

- ① From the backend of the tone arm (towards the rear panel) place the balance weight onto the shaft and turn counter clockwise. (Refer to the illustration)



Slip mat

- ① Place the slip mat on the platter. Then place a record on top of the slip mat. The slip mat is essentially used to give you better control over the spinning of your record. That is, with the slip mat in place you are able to stop, pull or push the record without affecting the rotation of the platter.



Top : Record disc side (Printed side)
Bottom : Slip surface side

(The slip mat included with this unit may differ from illustrations in this user guide or in other publications.)

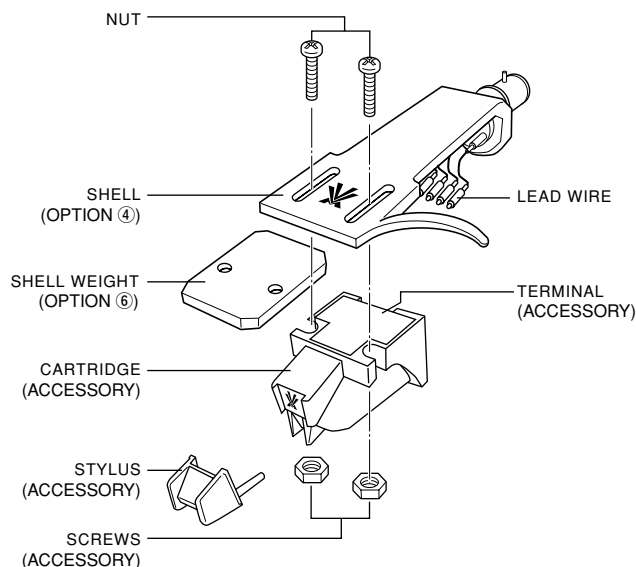
Cartridge Installation

- ① Make sure that you follow the instructions included with your cartridge.
- ② Connect the lead wires to the respective terminals. Industry standard cartridges come with color-coded wires. Make sure that you match these colors correctly.

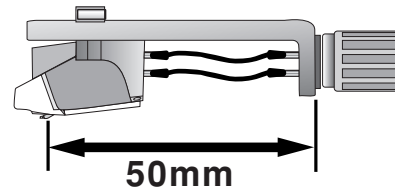
Red (R+) → Right Channel+ Green (R-) → Right Channel -
White (L-) → Left Channel+ Blue (L-) → Left Channel -

NOTE

If using a light weight cartridge, we suggest the use of the shell weight enclosed.



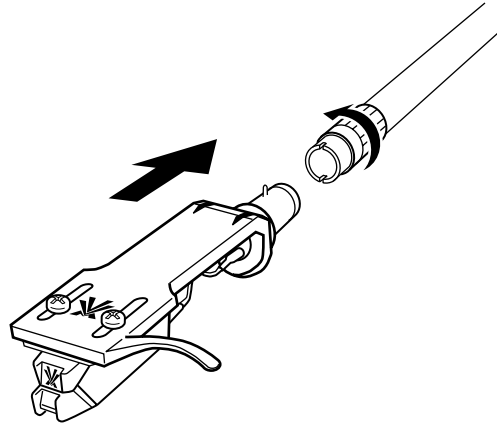
- ③ The overhang of your cartridge needs to be adjusted to best suit the A.S.T.S tone arm. For best tracking and stylus pressure a distance of 50mm (as shown) should be set.



NOTE

To avoid premature damage to the stylus take care to avoid touching it during any adjustment(s).

- ④ Insert the head shell into the front part of the tone arm. Turn the locking ring in the direction shown below until the head shell is firmly fixed in place.



INSTALLATION AND CONNECTION

Power Connection

Plug in the unit to a power outlet.

NOTE

This unit has been manufactured to strict quality and safety standards. PLEASE ENSURE that you use the correct power supply as shown on the rear panel of this device. FAILURE to do so may result in shock and/or serious damage to this unit and/or users.

Player Installation

- Do not expose this unit to direct sunlight, or install in an area that is typically humid and/or damp.
- Place this unit on a stable, horizontal surface in order to limit vibration and poor tracking/action of the tone arm.
- Locate this unit at a suitable distance from any speakers so as to avoid feedback.
- Interference may result from close proximity of an AM/FM tuner.

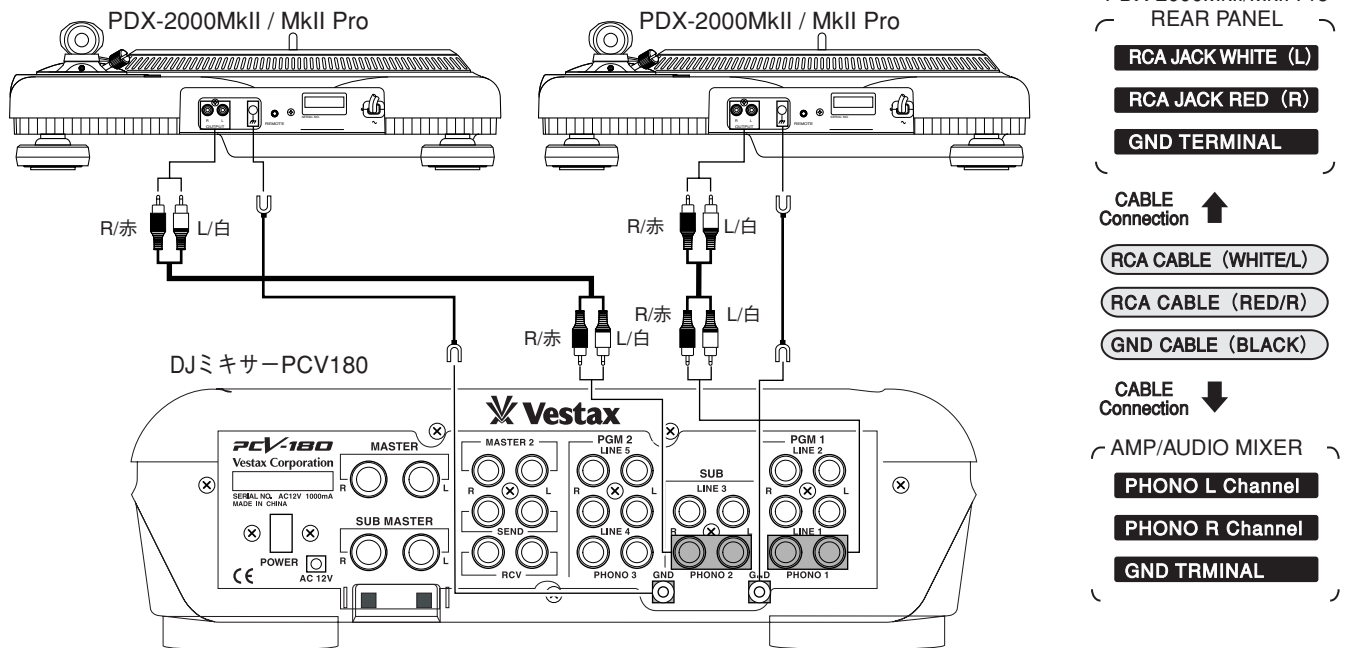
Connecting Phono terminal

With the RCA cable (accessory 7) and the GND cable (accessory 8), connect the output terminals and the GND terminal on the PDX-2300 rear panel, and the phono input terminals to the respective terminals on your amplifier/mixer.

NOTE

Ensure that the GND (ground) terminal is firmly connected to a mixer or amplifier. If the GND terminal is not correctly connected HUM may persist.

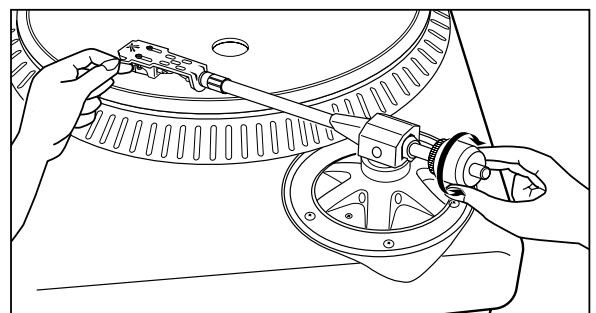
Example



ADJUSTMENT(S)

Adjustment of Horizontal Zero Balance

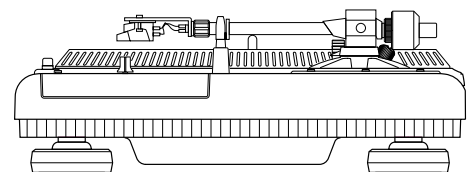
- ① Install the cartridge, headshell and balance weight to the tone-arm.
- ② Unlock the arm rest, adjust the tone-arm balance by rotating the balance weight, so that the tone-arm stays in horizontal position in balance.
- ③ Put the tone-arm on the arm rest and lock it.



- The balance weight and cartridge are balanced, the tone-arm is held horizontal.
- × The balance weight setting is too heavy.
- × The balance weight setting is too light.

NOTE

Please be sure that the needle does not touch the platter or the other object in adjustment procedure.



Adjustment of Stylus Pressure

PDX-2000MkII

- ① Hold the balance weight with one hand as shown in the drawing, and rotate only counter ring to bring the numeral "0" of the ring into alignment with the center line on the tone-arm rear shaft.

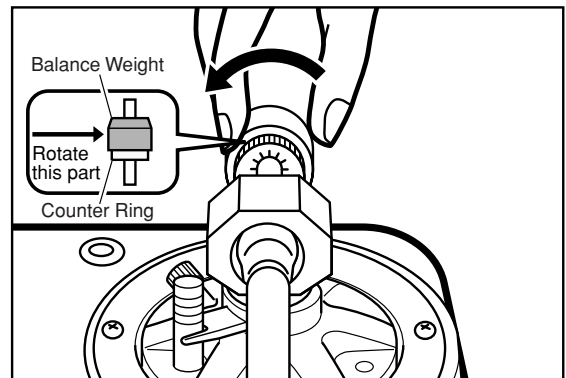
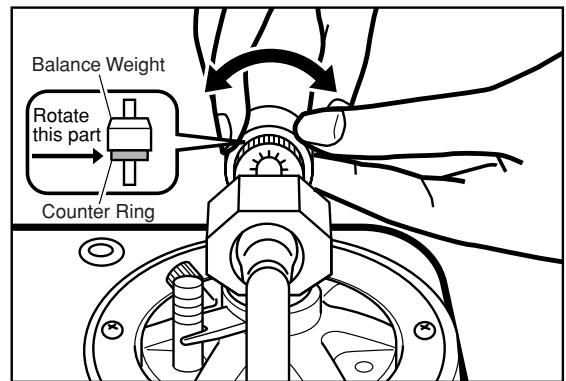
NOTE

In case the balance weight moved, do the adjustment of horizontal zero balance again.

- ② Turn the balance weight to present the reading on the gauge to the designed stylus force of your cartridge. As counter ring moves in step with the balance weight, proper stylus pressure can be selected by reading the graduated ring directly.

NOTE

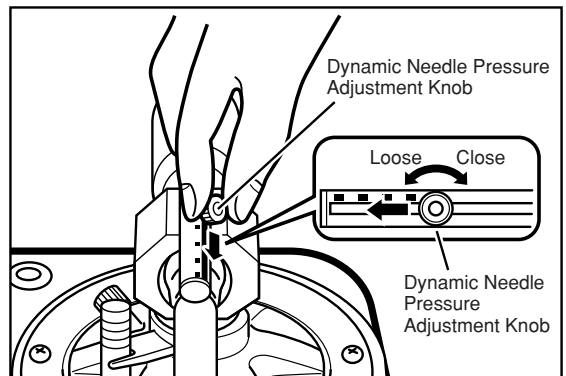
The appropriate stylus pressure needs to be set in order to generate the best performance. Please refer to the user's manual of the stylus.



PDX-2000MkII Pro

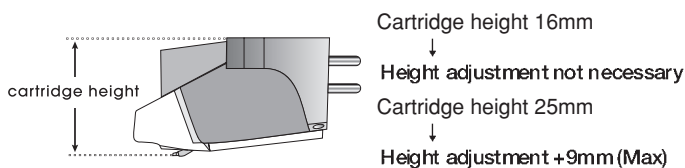
(DYNAMIC BALANCE ADJUSTMENT)

- ① Loosen the dynamic needle pressure adjustment knob and pull it to the position with appropriate needle pressure, then tighten the knob.



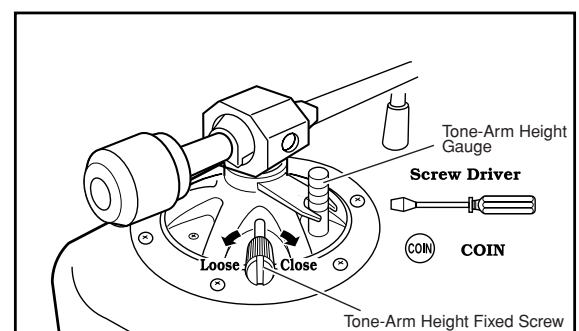
Adjustment of Tone-arm Height

In case of the height of Tone-Arm is needed for adjustment, it is possible to adjust the height by following the scale of Tone-Arm Height Gauge after loosening the Tone-Arm Height Fixed Screw. The adjustment range is 9mm at the maximum.



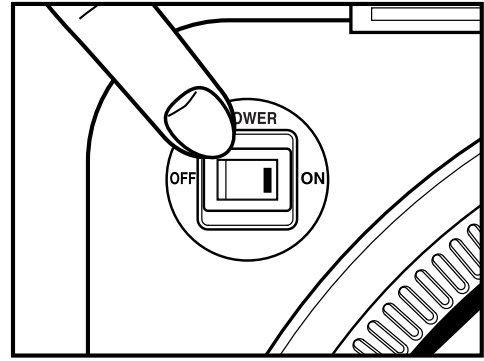
NOTE

Be sure to tighten the Tone-arm height Fixed screw well. The stylus may jump/skip if the height setting is not secured.

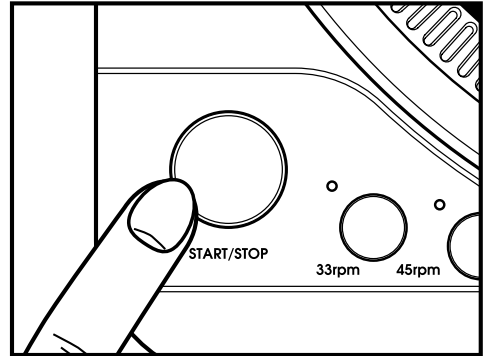


OPERATION

- ① Place a record on the slip mat.
- ② Switch on the unit using the Power on/off switch located on the rear panel.
- ③ Remove the stylus protector if applicable.



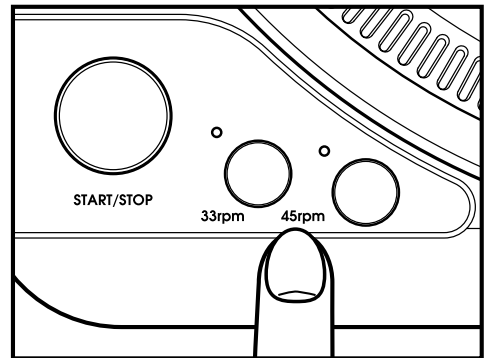
- ④ Start the platter spinning with the START/STOP button.



- ⑤ Position the tone arm over the record and gently lower to begin playback.
- ⑥ Set the playing speed to either 33 1/3 or 45 RPM.

NOTE

When turned on this unit is set to play at 33 1/3 RPM. To adjust to a 45RPM speed setting, press the 45 RPM button. This unit does not use a cue lever system for speed setting(s).



- ⑦ Move the tone arm to the resting position and secure using the tone arm clamp.
- ⑧ Push the START/STOP button to stop the platter from spinning.
- ⑨ Turn the unit off.

NOTE

If the power switch is turned off without pressing the START/STOP button, the electric brake will not function.

Remote Control

The START/STOP functions of the PDX-2000MkII can be controlled externally with equipment such as a foot switch peddle. An input jack is provided for this remote control on the rear panel of this unit.

Playing EP records

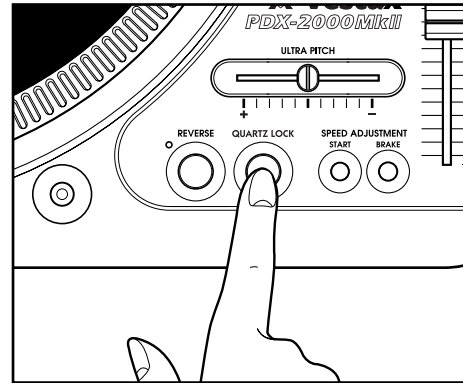
Fit the EP adapter over the center spindle and follow the same playing instructions as written above.

Stylus light (Detachable mini light)

A detachable stylus light is available for this unit as an optional extra.

Adjustment of Quartz Locked Control and Pitch

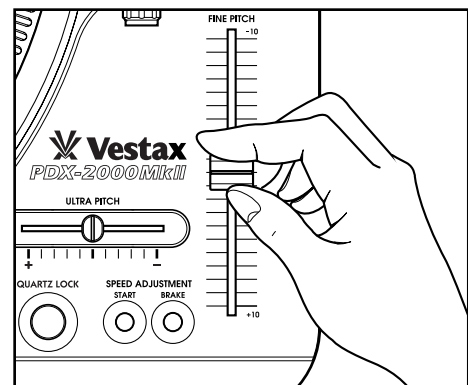
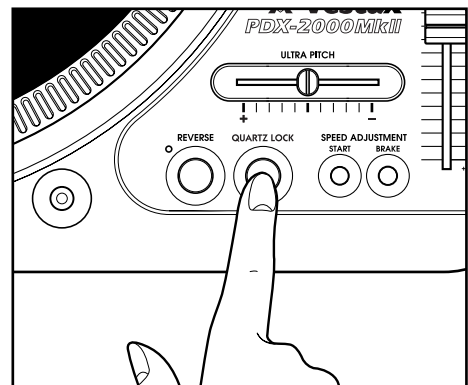
- ① When the indicator lamp is lit showing the operating condition for the pre-determined speed (33-1/ or 45 rpm).
- ② During the operation of pre-determined speed, Pitch control fader can not be functioned. And once press the quartz control button, the indicator lamp is put out the speed can be adjusted pitch control fader.
- ③ During the operation of above ②, if you want to change to speed to the pre-determined one, press the quartz button. The indicator lamp lights and speed will become pre-determined one even when the pitch control fader not in the center.



- ☀ Lighting : Quartz Lock
- Putting out Light : Non Quartz Lock

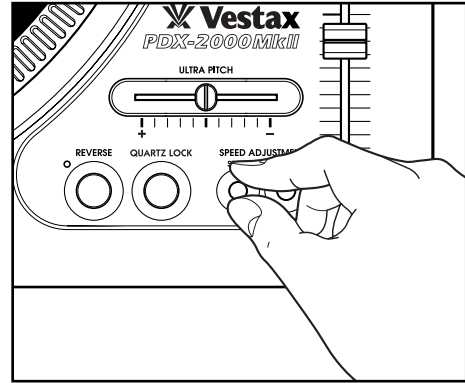
Adjustment of Pitch Control

- ① When pressing the quartz lock button, quartz lock is off.
- ② When moving main pitch controller, you can adjust the revolutions by $\pm 10\%$.
- ③ Ultra pitch fader changes the revolution by $\pm 50\%$.



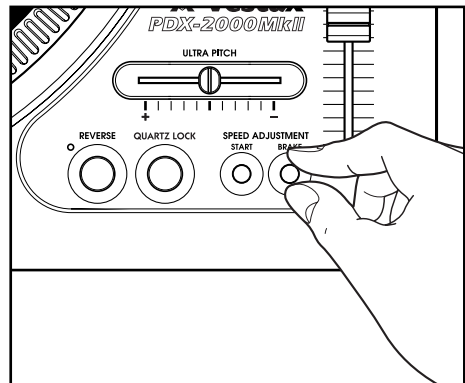
Start Speed

You can adjust the starting speed of the platter by adjusting the SPEED ADJUSTMENT 'START' dial. A clockwise rotation slows down the starting speed whilst an anti clockwise rotation will speed it up. At its maximum setting after pressing the START button, the PDX-2000MkII/MkIIPro has an amazingly quick start up (to full speed) of around 0.5 seconds.



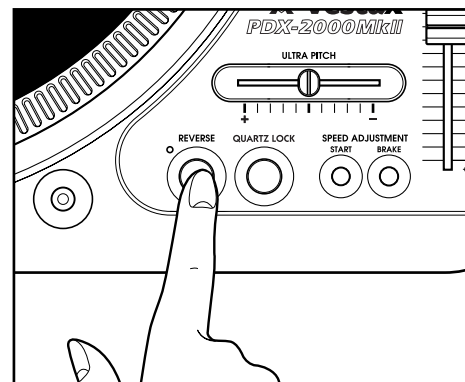
Brake Speed

As well as being able to change the start speed, you can alter the speed at which the platter brakes or slows down. A clockwise rotation of this dial gives a slow brake speed whilst an anti clockwise rotation produces the fastest brake speed possible. Again, the powerful motor (and therefore platter speed) of the PDX-2000MkII/MkIIPro is far beyond that of its closest competitor.



Reverse Play

When pushed, this button will instantly reverse the playing direction of the platter. In reverse mode, an indicator LED will be on. When the unit is first turned on, the platter is set to spin in the normal forward direction.



SPECIFICATION

TURNTABLE	MOTOR STARTING UP TIME STARTING TORQUE BRAKING SYSTEM RAMBLE (S/N RATIO) SPEED FINE PITCH ULTRA PITCH WOW & FLUTTER	DIRECT DRIVE QUARTZ 0.5sec (33 1/3rpm) 70° 2.7kg · cm ELECTRONIC BRAKE 78dB (IEC 98 WTD) "33 1/3rpm, 45rpm" ± 10% (100mm FADER) ± 50% (45mm FADER) 0.07% W.R.M.S.
ARM	TYPE BALANCE TONE-ARM HEIGHT STYLUS PRESSURE	ANTI SKIPPING TONE-ARM SYSTEM DYNAMIC BALANCE STRAIGHT TONE-ARM TRACING HOLD BALANCE ADJUSTMENT RANGE 9MM (MAXIMUM) ADJUSTMENT RANGE 0 ~ 7.0g
	LIGHT (OPTIONAL) SPEED LOCK REMOTE DIMENSION WEIGHT POWER	DETOUCHABLE MINI LIGHT DC12Volt 20mA QUARTZ LOCK MOMENTARY START (MINI JACK) (W) 454mm × (H) 162mm × (D) 365mm 9.5kg AC120V or AC230V 10W